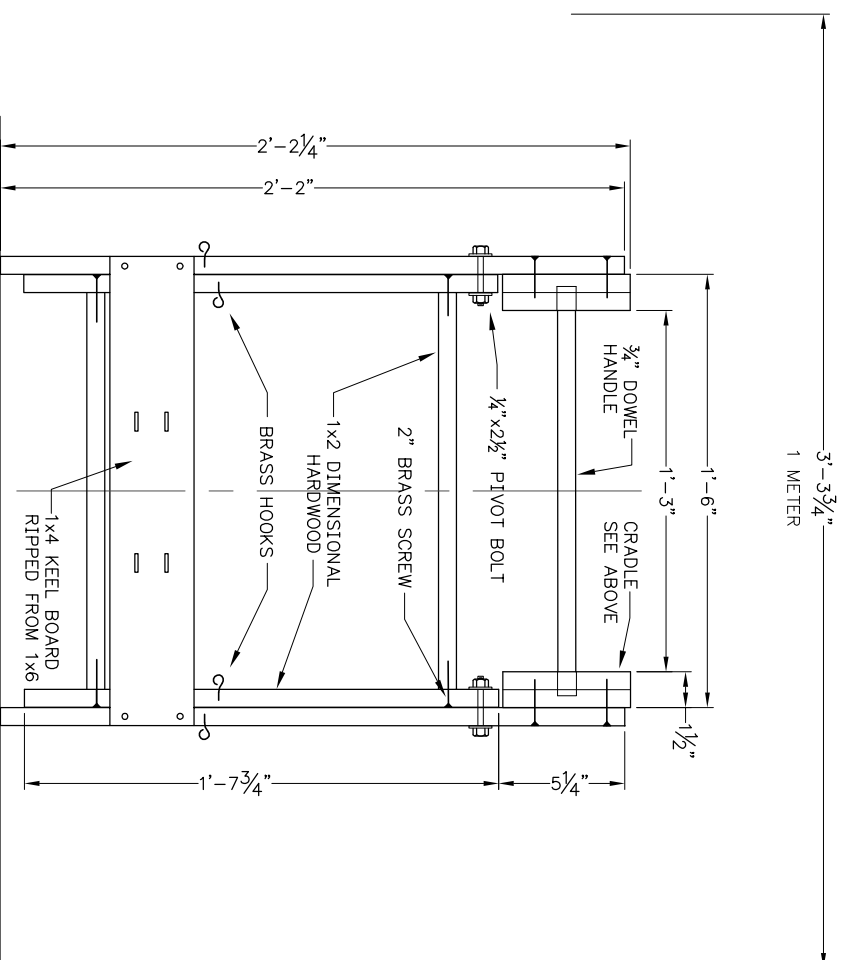
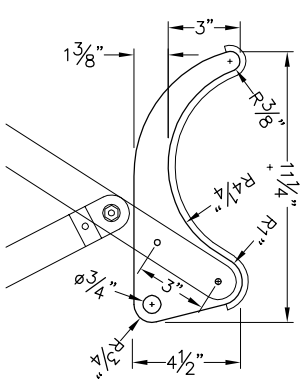


**SIDE VIEW**

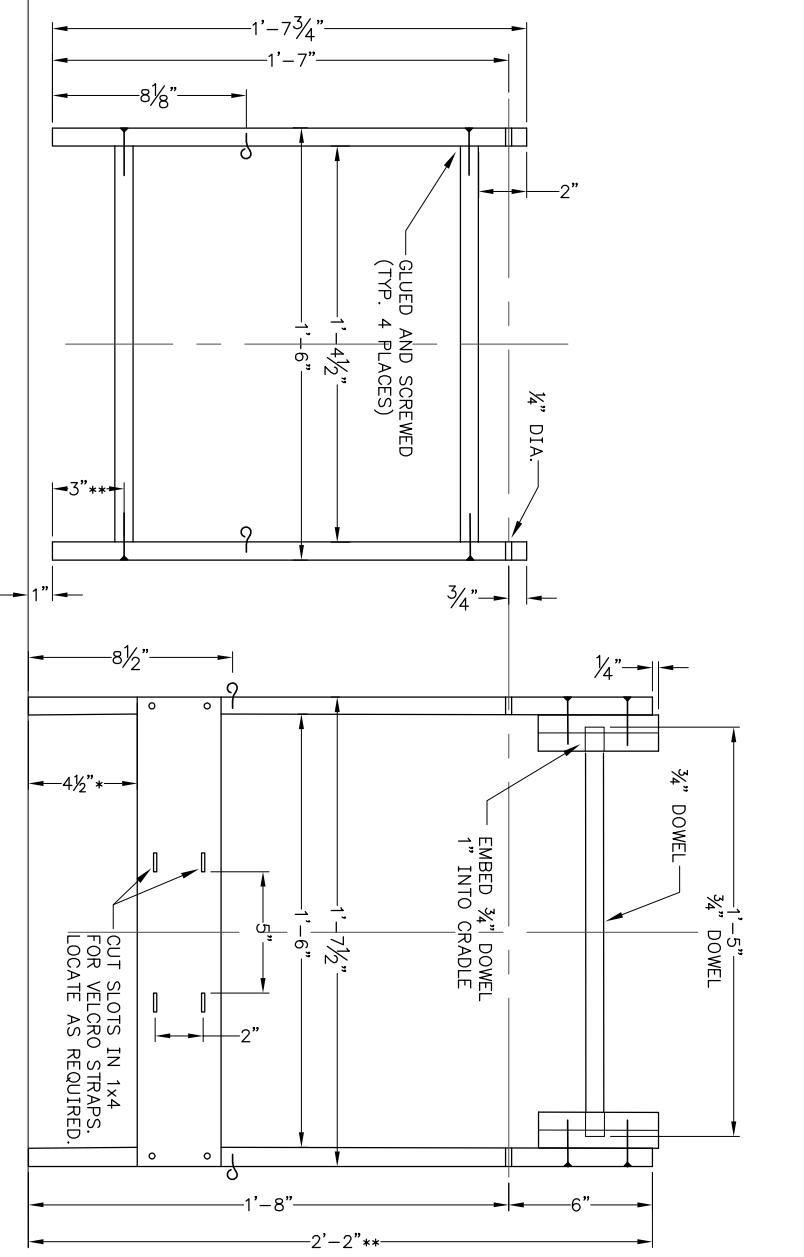
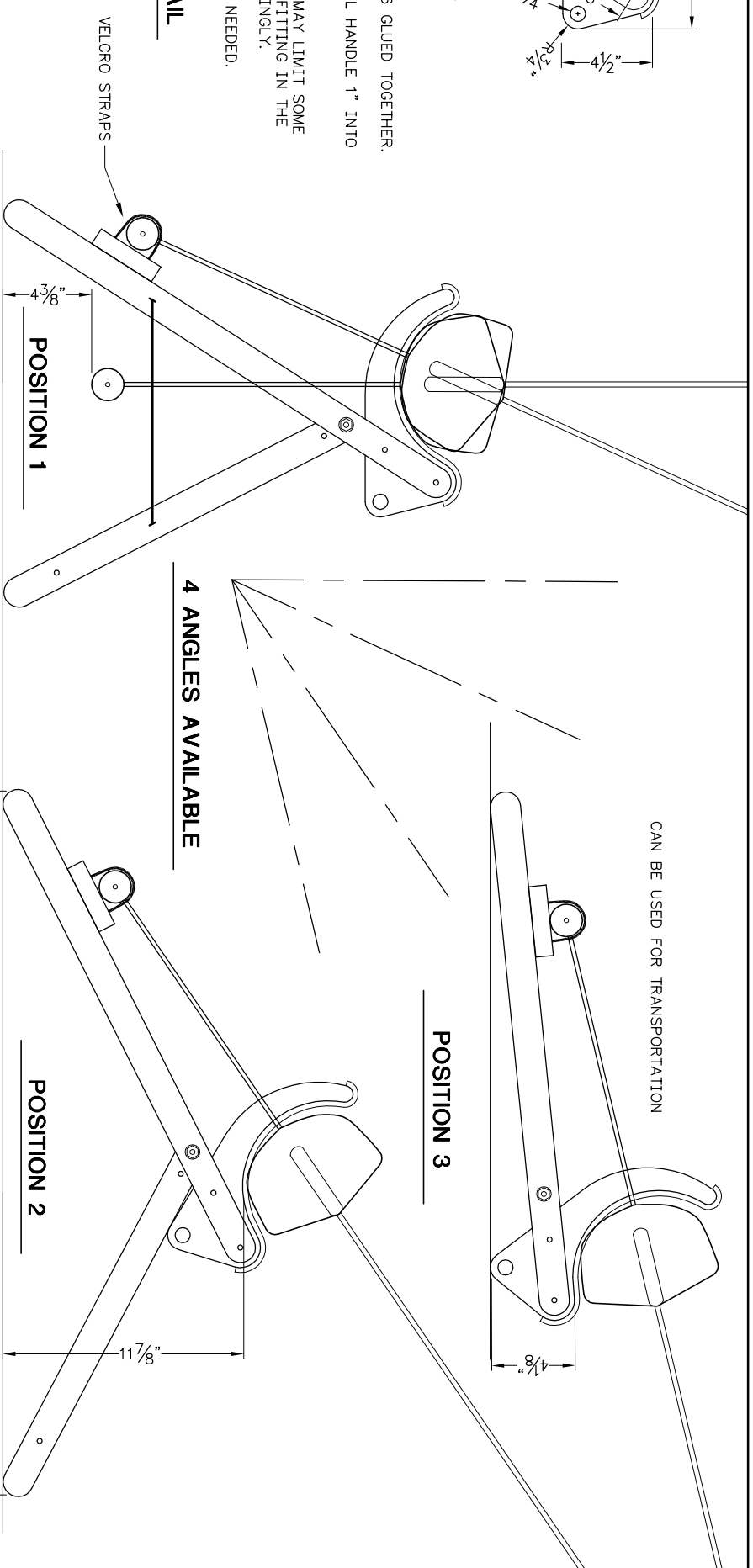


**FRONT VIEW**



- NOTES:**
1. CRADLE MADE FROM 2-1x6 GLUED TOGETHER.
  2. DRILL 3/4" HOLE FOR DOWEL HANDLE 1" INTO CRADLE.
  3. 4/4" RADIUS FOR CRADLE MAY LIMIT SOME WIDER HULL TYPES FROM FITTING IN THE CRADLE. ADJUST ACCORDINGLY.
  4. APPLY FOAM PADDING AS NEEDED.

**CRADLE DETAIL**



**LITTLE FRAME**

**BIG FRAME**

**PARTS LIST**

- 2 - 1x2 x 8'
- 1 - 1x6 x 6'
- 1 - 3/4" DOWEL x 2'
- 2 - 1/4"x2 1/2" STAINLESS STEEL PIVOT BOLTS, NUTS AND 4 WASHERS
- 4 - STAINLESS STEEL HOOKS AND STRING
- 12 - 2" BRASS OR RUST PROOF SCREWS
- FOAM PADDING
- VELCRO STRAPS
- WOOD GLUE

\* VERTICAL LOCATION OF 1x4 KEEL BOARD MAY NEED TO BE ADJUSTED TO EACH INDIVIDUAL BOAT IF YOU WANT THE BULB CENTERED ON THE 1x4.

\*\* AN ADDITIONAL 2" CAN BE CUT OR ADDED FROM THIS AND THE OPPOSING DIMENSIONS FOR A SHORTER OR LONGER STAND IF SO DESIRED.

**IOM BOAT STAND**

SCALE 1 1/2" = 1' = 0"